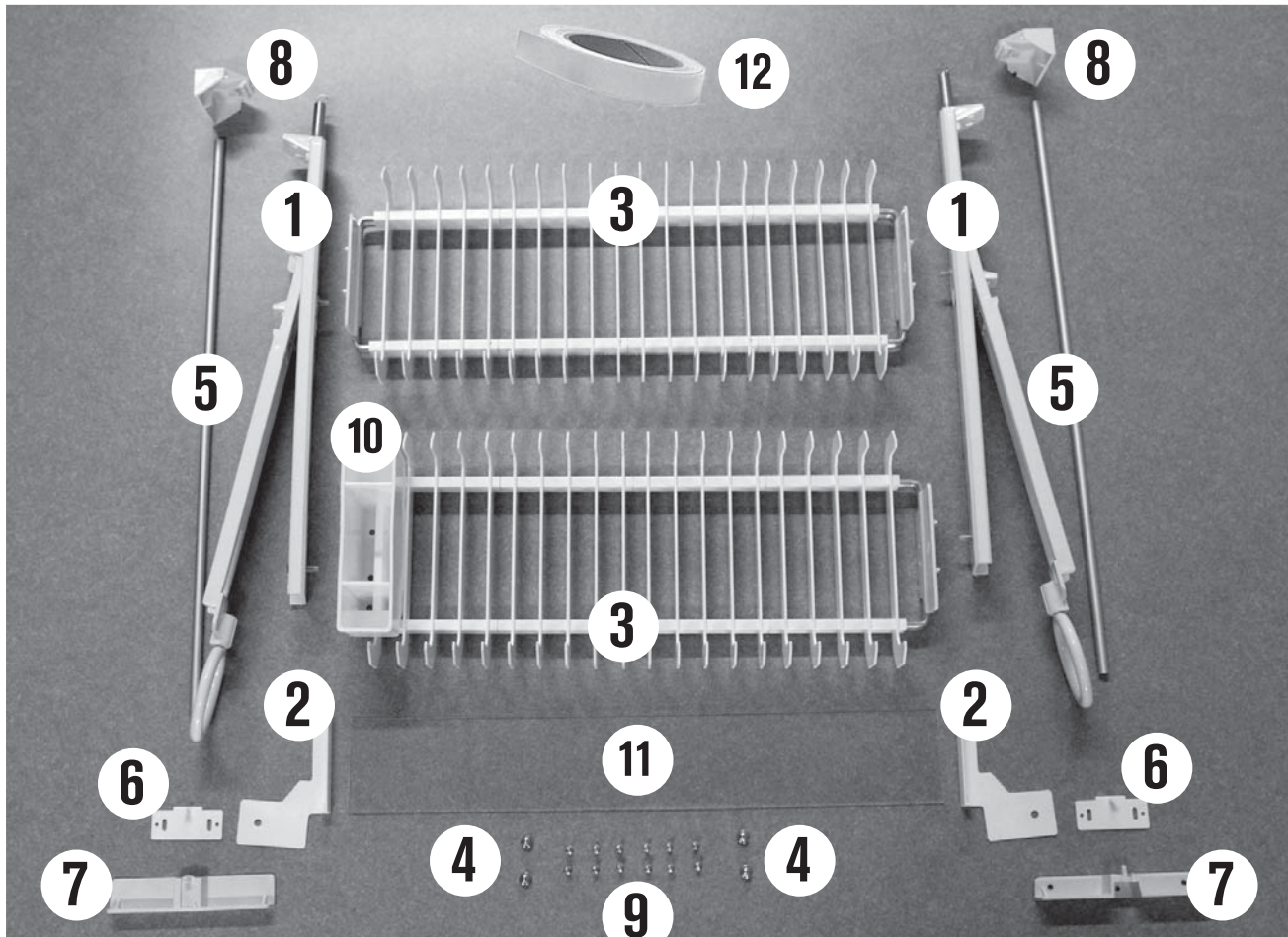


Installation Instructions

For Framed Cabinets, Frameless Cabinets,
Ready-to-Assemble (RTA) Cabinets, and Wide Cabinets



The DripDry Classic

INCLUDED IN THE KIT:

#1	L/R Pull up/down mechanisms	
#2	Drip Plate Holders	
#3	Dish Rack Trays	
#4	Cap Nuts	
#5	Aluminum Tubes	
#6	Bottom Mount Brackets	*Used for bottom ledge or frame installation
#7	Side Mount Brackets	*Used for completely bottomless cabinets
#8	Top Mount Brackets	
#9	Screws	
#10	Cutlery Holder	
#11	Drip Plate	
#12	Edge Finishing Moulding	*Used for bottom ledge or frame installation

REQUIRED TOOLS:

Pencil, measuring tape, Phillips screwdriver, drill and bit set, electric or manual saw (if cutting the bottom panel)

STOP

IMPORTANT

Please read *entirely* prior to installing.

INSTALLATION

A. INSTALLATION IN A CABINET WITH A FULL OPEN BOTTOM - USING #7 BRACKETS:

Frameless installation applies to cabinets where the bottom panel has been completely removed, and there is NO inner frame or ledge surrounding the opening at the bottom. **Note:** For Ready-to-Assemble (RTA) styles, for example, with a 1/2" (1.27 cm) back panel, installation may require an additional "L" bracket or fastener in order to reinforce the cabinet's back and side panels.

Basic Principle:

The DripDry Classic brackets are installed on the inside vertical side panels of the kitchen cabinet using the standard top connectors (#8) and L-shaped (#7) side mount brackets that substitutes the "missing" bottom panel frame.

B. INSTALLATION IN A CABINET THAT HAS A FRAME SURROUNDING THE OPENING AT THE BOTTOM:

Basic Principle:

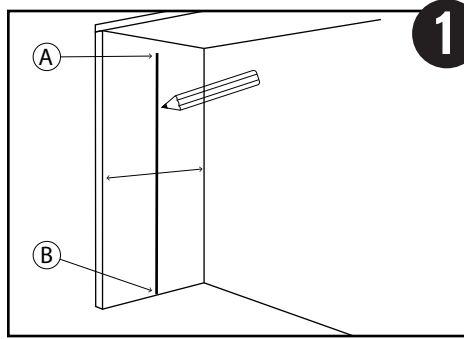
Frame-based installation applies to cabinets where the DripDry 'stands' on the bottom frame itself. The bottom mount brackets (#6), for frame based installation, are positioned – on each short side of the frame, – flush to the edge and centered in depth, and secured with screws.

For 1 3/8" (3 cm) width frames –where the distance from the side panel to the edge of the frame is 1 3/8" (3 cm) – the top brackets (#8) are connected on the side panels in the same way as for full open bottom cabinets – Please refer to step 4 under 'INSTALLING THE UNIT INSIDE THE CABINET'.

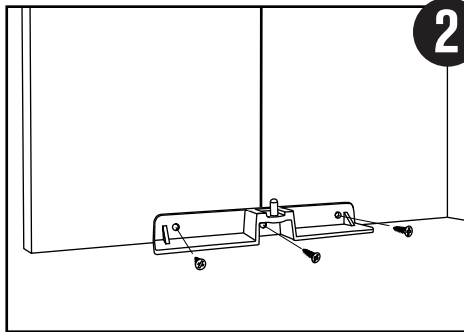
C. INSTALLATION IN WIDER CABINETS:

Basic Principle:

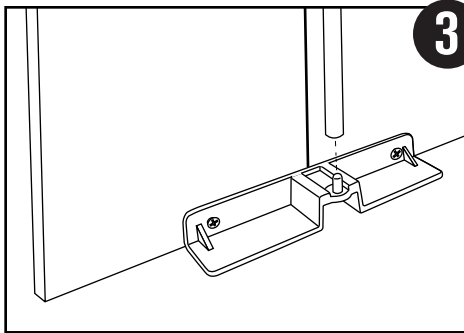
Smaller DripDry units can be installed in wider kitchen cabinets if a rectangular opening is cut out in the bottom panel to allow the DripDry unit to be lowered. The "Rule of Thumb" is that the required opening of the bottom cabinet panel is 2 3/8" (6 cm) smaller than the official size of the DripDry unit. For example, a DDC20 (measures 18 1/2") minus 2 3/8" (6 cm) equals 16 1/8" (41 cm) of a rectangular cut out. (The official size of the DripDry refers to the interior wall-to-wall measurements inside of the cabinet). A top shelf is required at the height of the aluminum tubes (#5) where the top brackets (#8) are connected to the underside of a shelf.



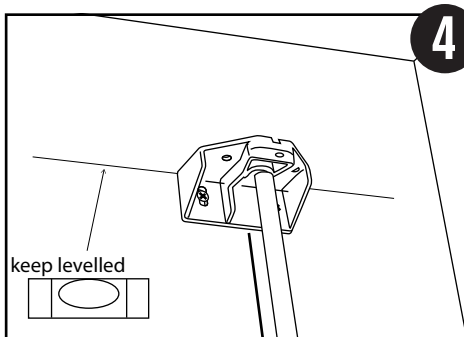
1 Measure the interior depth inside the kitchen cabinet and mark the center on the inner cabinet side panels. Connect the marks by drawing a vertical center-line between them. (From A to B) Use this line to easier center the parts in depth and to align them straight above one another.



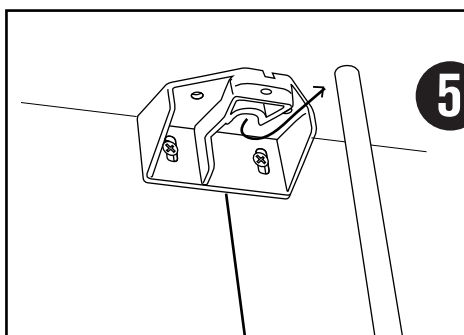
2 Position the bottom brackets (#7) –flush to the bottom edge of the cabinet side panel and center it on the penciled line. Secure it with three screws (#9). Don't forget the middle screw. It is vital for strength.



3 Use one of the aluminum tubes (#5) to measure the correct height for the top bracket (#8). Slide the aluminum tube (#5) on the knob of the bottom bracket (#7) and align the aluminum tube along the penciled line.

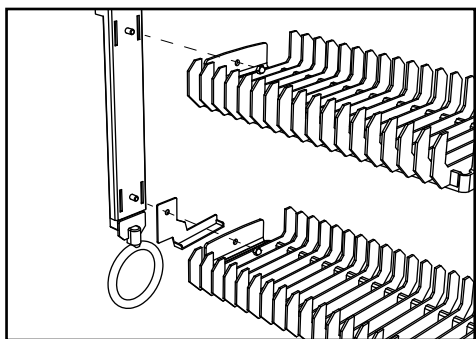


4 Put the top bracket (#8) on the aluminum tube (#5) and align it straight along the sidewall panel. Use a level to make sure the aluminum tube (#5) is perfectly straight. Do not press the top bracket (#8) too tight on the aluminum tube (#5) since it could make it difficult to remove. Make sure that the parts are properly aligned above one another with the correct spacing, and also make sure that they are straight. Secure the top bracket (#8) on the sidewall with screws (#9).



5 Remove the aluminum tubes (#5) by sliding the top, side ways, out of the socket's top connection (#8).

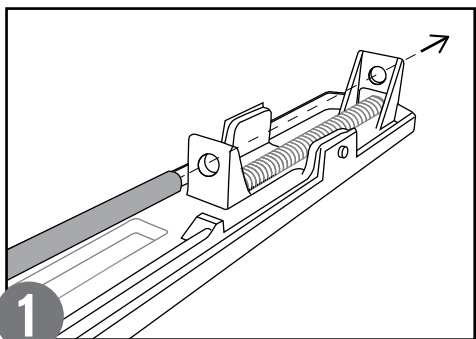
ASSEMBLY



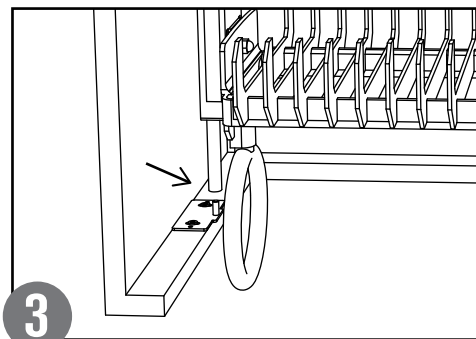
1 The left and right drip plate holders (#2) for the DripDry drip plate (#11) are sandwiched between the pull up/down mechanism (#1) and the lower dish rack (#3) on the protruding screws.

2 Connect the drip plate holders (#2) to the dish racks (#3) with the cap nuts (#4). **DO NOT over tighten the cap nuts (#4)** since this may crack the plastic.

INSTALLING THE UNIT INSIDE THE CABINET

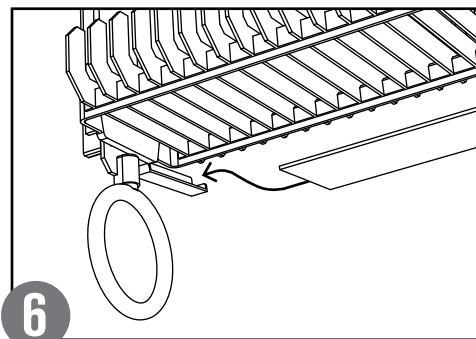
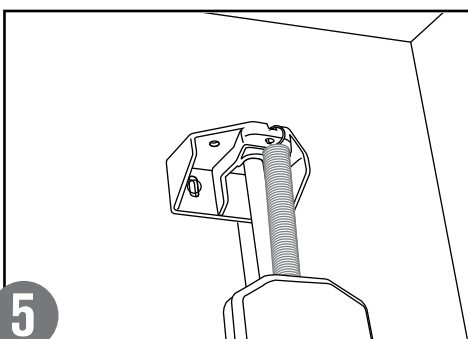
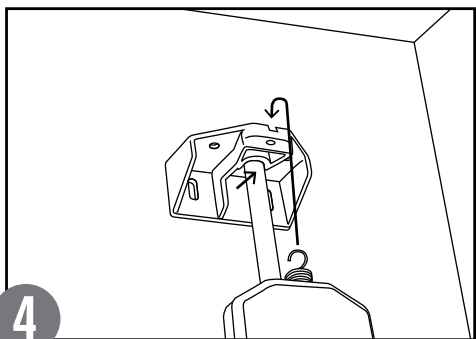


2 Grabbing the arms of the unit, including the aluminum tubes (#5), with your hands, tilt the upper part of the DripDry slightly towards you.



1 Insert the two aluminum tubes (#5) in the guide holes on the pull up/down mechanisms (#1) of the unit.

3 First insert the bottom part of the DripDry into the cabinet, and then slide the bottom ends of the aluminum tubes (#5) onto the tops of the knobs of the bottom brackets (#6).



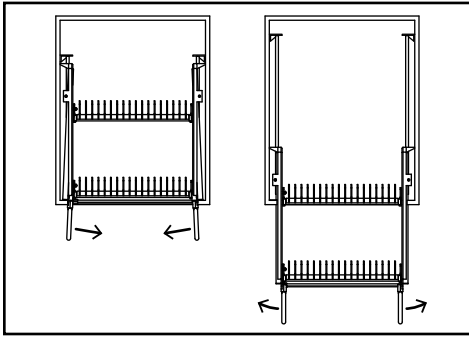
4 Straighten the DripDry, and secure the top end of the aluminum tubes (#5), in the top mount brackets (#8) by pressing them side ways into the sockets.

5 Attach the springs to the brackets (#8).

6 Peel off the protective film from the drip plate (#11), and insert it into the drip plate holders (#2) under the lower dish rack tray (#3)

7 Place the cutlery holder (#10) on the lower dish rack (#3).

BASIC OPERATION



To unlock the DripDry:

Push the handles (#1) inwards towards the center of the unit to release it. When the handles are held in this position the DripDry Classic can be lowered or raised.

To lock the DripDry in the upper or lowered position:

Pull the handles (#1) apart outwards towards the sides of the cabinet to lock the DripDry.

Do not release the handles (#1) until you are sure that the DripDry is secured in its correct position.

SAFETY

- Always aim to distribute the loading weight (dishes) evenly on the racks to keep the unit balanced and easier to operate.
- Do NOT overload the unit. Keep the loading weight within the comfort range of 13 lbs (6 Kg).
- Never use a broken unit.



NOTES

- Tall faucets may obstruct the ability to lower the DripDry.
- Do not rest the unit on the faucet as it may damage both the faucet and the DripDry unit.
- Handles may be removed altogether. If removed, the up/down mechanism cannot be used.
- Face-framed cabinets require additional modification. Please contact us about your style cabinetry.

USEFUL INFORMATION

DDC Model:	Requires wall to wall interior width	Bottom panel cut out
20	18 1/2" (47 cm)	16 1/8" (41cm)
24	22 7/16" (57 cm)	20 1/16" (51cm)
28	26 3/16" (66.5 cm)	23 13/16" (60.5cm)



Customer Service

USA: 646-894-1000

Imported by

9290-9639 Quebec INC.

Estali Design, Inc.

6826 Kildare Rd.

Montreal QC, Canada H4W 2V4

Visit us online at www.thedripdry.com